



AVL Power Harness

Automatic Vehicle Locator (AVL)

General Description

- Allows hard-wiring of GPS tracking unit
- Part Description: Switching Power Supply
- Model Number: P-029B
- Design Model Number: P-029B-B2799

Environmental Constraints

- Storage: -25 – 80 C , max. 95% Humidity
- Operating: 0 – 55 C , max. 95% Humidity

Input Specifications

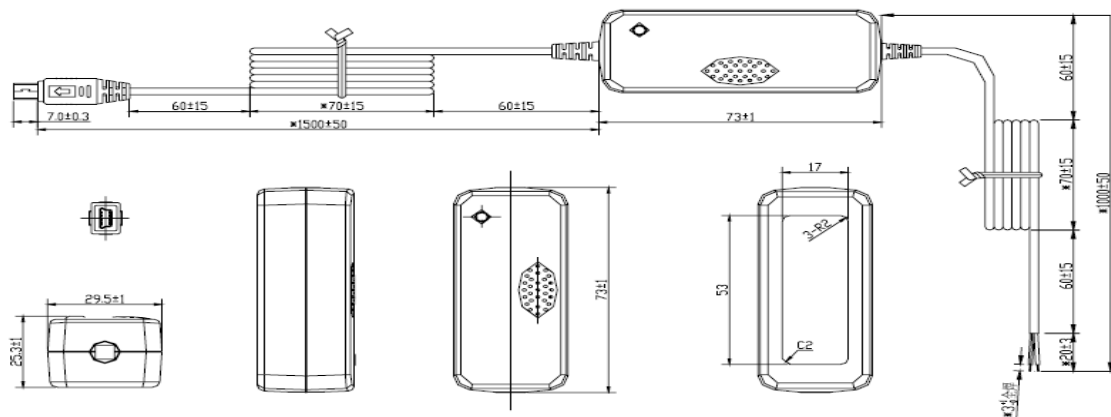
- Rated Voltage Range: 10 – 26 Vdc
- Full load Power Consumption: 5 W
- Input Over-Current Protection:
 - o VDE/UL/CCC Fuse 2.5A/250V OR 2.0A/250V

Other

- Over Temperature Circuit Protection: 140 C
- Reliability: 50000 hour
- Dimensions (mm): 25.3 H x 29.5 W x 73 D
- Length (m / ft): 2.5 / 8

Output Specifications

- Rated Voltage Range: 4.75 – 5.25
- Rated Current: 500 mA
- Load Output Ripple: 150 mVp-p





Covert Tracking System

Features

- Tiny 1.4" (36mm) wide battery operated GPS Tracker
- Configurable rates / battery life
- Available external battery and GPS antenna
- On Demand or Fixed Interval Reporting
- Long Battery Life (1-20 days based on usage)
- IP66 - dust/water resistant
- Built in 3D motion sensor (200 series)

Technical Specifications

- Quad-Band 850/900/1800/1900MHz
- Compliant to GSM phase 2/2+
 - Class 4 (2W @ 900MHz)
 - Class 1 (1W @ 1800/1900MHz)
- Operating Temperature Range: -20 to +55 C
- Battery Capacity : 1300 mAh, 3.7 volt
- Dimensions: 67.5 x 40 x 21mm
- Weight : 60g (2.12oz)

Standards

- GPS Chipset: MTK All-In-One GPS Receiver
- Channels: 20 channel all-in-view tracking
- Reacquisition: 0.1 second average
- Hot Start: <1 second average
- Warm Start: <35 second average
- Cold Start: 35 second average



User Defined Settings Include

- Full GeoFence Capability - 5 regions
 - Movement Detect settings
- User defined location update frequency
 - Min 5 second update interval
 - Controllable update interval using standard SMS over-the-air commands
- Pricing based on location frequency



StarChase SC100 GPS Tag

GPS Tag Consists of:

Highly sensitive GPS / GPRS electronics

Quad-Band 850/900/1800/1900MHz

Electronic Interface to Launcher Rugged

Construction

Weighted for Stable In-flight Characteristics Tested & Meets

NIJ Less-Than-Lethal Standards Diameter: 56mm

Non-Caustic Heavy Duty Adhesive

Surface Conforming Foam Nose Cone

Gold-Plated Contact Surfaces





StarChase Launcher

StarChase Launcher System Consists of:

Dual Barrel Configuration

Compressed Air Propulsion

Environmentally Protected

Eye-safe targeting green laser

Compact Back-lit Interior Control Panel

Up & Down Elevation aiming control

Can be fired via user remote key fob

Rugged Construction

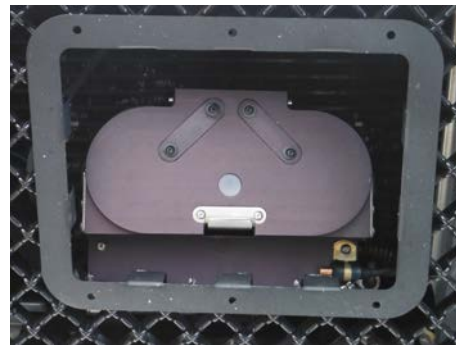
Operating Temperature Range: -1 t o
+50 C (30 t o +122 F)

Console Dimensions:

Width: 5.49" / 14cm Height: 3.12" / 8cm

Power Consumption:

Max Peak Current draw: 11.01 A @ 13.8 Vdc Minimum Current
draw: .11 A @ 13.8 Vdc





StarChase Marking Projectile

Marking Training Projectile Consists of:

Non-Stick Foam Nose Cone

Designed for Training Use Only

Weighted for Stable In-flight Characteristics Tested & Meets

NIJ Less-Than-Lethal Standards Diameter: 56mm

Reusable





StarChase Training Projectile

Training Projectile Consists of:

Surface Conforming Foam Nose Cone Non-

Caustic Heavy Duty Adhesive Designed for

Training Use Only

Electronic Interface to Launcher Rugged

Construction

Weighted for Stable In-flight Characteristics Tested & Meets

NIJ Less-Than-Lethal Standards Diameter: 56mm

Gold-Plated Contact Surfaces

Training Reusable When Handled Properly

